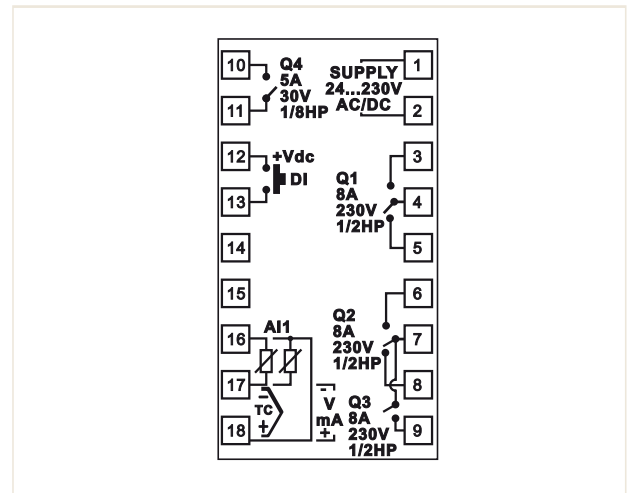




## WIRING PLAN



## 6;E) \$Ž&amp;D

## Controller multi-setpoint / Dual input

## Main features

Box	72x72 (front panel) x 99 mm
Power supply	24..230Vac/dc ±15% 50/60 Hz
Consumption	5,5 VA
Display	4 digits 0,5" green + 4 digits 0,3" red + 6 signaling leds
Operating conditions	Temperature 0-45 °C, 35..95 RH%
Material	Box: Noryl UL94V1 self-extinguishing; Front panel: Silicon rubber V0
Weight	Approx. 250 g
Sealing	Front panel IP54 (with gasket), Box IP30, Terminal blocks IP20
Quick set-up options	Memory Card with / without battery, software LABSOFTVIEW, EASY-UP codes

## Inputs

1 Configurable	Selection TC, K, J, S, R, PT100, PT500, PT1000, Ni100, PTC1K, NTC10K (B 3435K), 0/4..20 mA, 0..10 V, 0..40mV, Potentiometer 1..6/160 Kohm
Sampling time	Programmable up to 4,1 ms (Frequency up to 242 Hz)
1 Digital input	1..4 setpoints selection, Hold, Run

## Outputs

4 Relays	(4)Relays (3 Relays 8A - 250 Vac resistive charge + 1 Relay 5A - 30 V resistive charge )
----------	--

## Software features

Control algorithms	ON - OFF with hysteresis, P, P.I., P.I.D., P.D. time proportioned. Automatic / Manual regulation
Tuning	Manual / Automatic
Data protection	Lock of command / alarm setpoint - Access to parameters by password
Alarm modes	Absolute / Threshold, band, High / Low deviation. Alarm with optional manual reset and activation delay. Dead band function
Soft-Start	Rising gradient expressed as Degrees / Hour
Double P.I.D.	Heating / Cooling P.I.D.
Programmer function	3 steps pre-programmed cycle with Start / Stop
Timer function	Controller function + decremental Timer